

1. Material / Design

- Is the material of the worktop suitable?
- Does the original thickness of the worktop fit the requirements?
- Does the PITT unit fit according to the depth of the worktop?
- Is the required minimum C-size being applied?
- Does the minimum required C-size fit into the design?
(Taken into account, for example: grip rails, constructions cabinet/front)?
- Is the distance from side to first cut-out at least 150 mm on both sides?
- Does the entire width of the PITT unit fit into the width of the cabinet?
- Can the PITT unit be freely disassembled without disassembling the cabinets/worktop?
- In case of a cutlery tray: does the height of the unit still fit?

2. Cut-outs

- Are all regulations from both PITT and worktop manufacturer about the making of the cut-outs known?
- Is every cut-out smooth and even?
- Is a facet of at least 1×1 mm applied on top and bottom of the recess(es)?

2a. Solid Surface

- Did you use a router or CNC machine to make the cut-outs?
- Is every cut-out smooth and even?
- Did you apply a radius of at least 3 mm?
- Did you apply aluminum and thermo tape in the recesses?
- Is the thermo tape only applied to the top and inside, and not at the bottom?
- Are all adhesive connections and/or interconnections at least 250 mm away from the recesses?
- Is there a ladder-frame being applied?

3. Installation

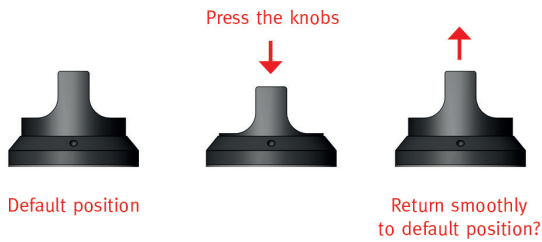
See next page.

For more information, check:

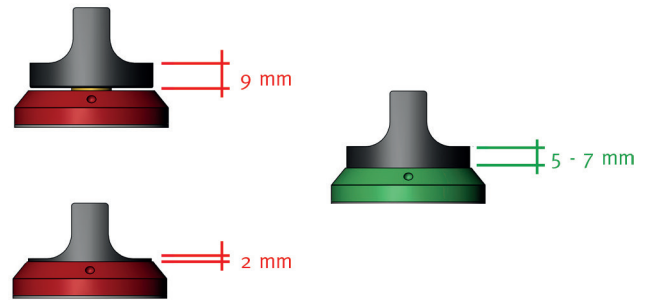
1. The PITT Portal Knowledge Base & File Manager, via pitt-portal.com
2. Document: 'Installation and handling instructions PITT cooking'
3. Document: PITT cooking Installation manual

3. Installation

- Do the knobs run smoothly in the scale?
If not: reposition the scale. See Installation manual step 20-21.



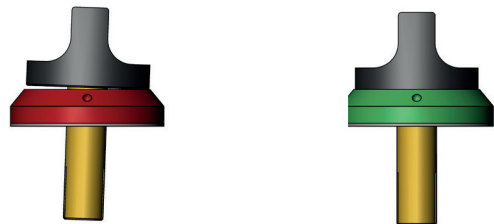
- Do the knobs have the right height?
If not: re-adjust the height. See Installation manual step 13-18.



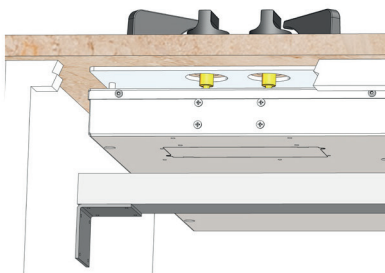
- Are the knobs centered in the cut-out?
If not: re-adjust the appliance. See Installation manual step 6-18.



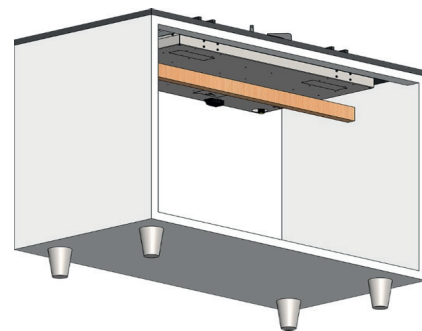
- Are the knobs standing straight?
If not: re-adjust the appliance. See Installation manual step 6-18.



- Does the heat conductor make proper contact with the worktop?
If not: adjust the screws of heat conductor in right order. See Installation manual step 14-17.



- Is the support bar* properly positioned?
In case of a cabinet width of 900 mm or more, the module should always be fully supported.



***Profile of support bar**
Length depends on size of cabinet

