

**Contents of package:**

2x support beams



4x inserts

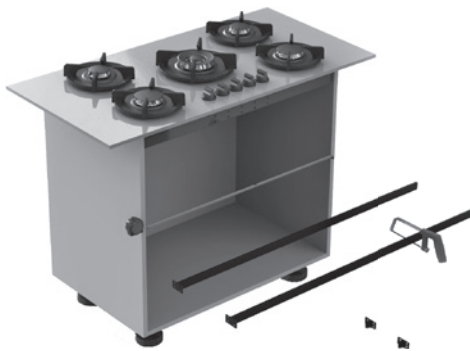


16x cross-point screws 4,2x16 mm

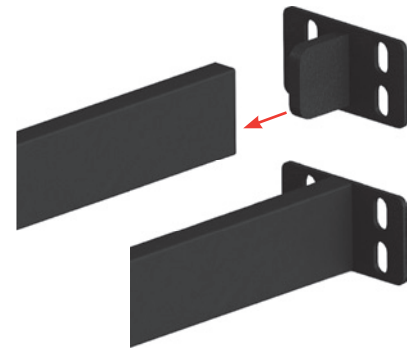


**Tools needed:**

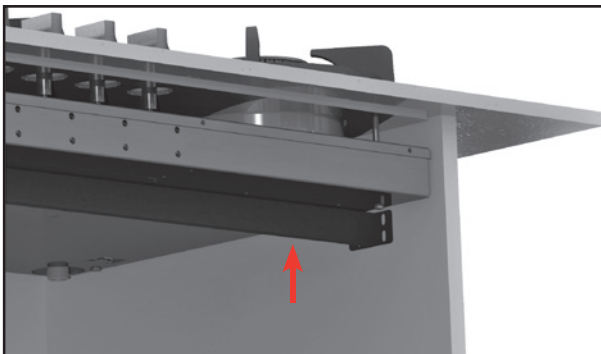
- Measuring tape
- Cross-point screwdriver
- Metallic saw



1. Determine the dimensions of the cabinet and cut the support beams with the saw. **ATTENTION!** Correct length of the beam = the dimension of cabinet on the inside - 4 mm.

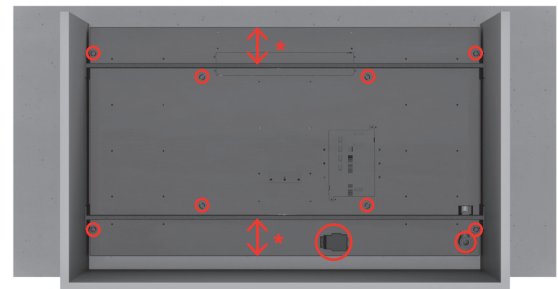


2. Place the inserts into the ends of the beams that have been cut to size.

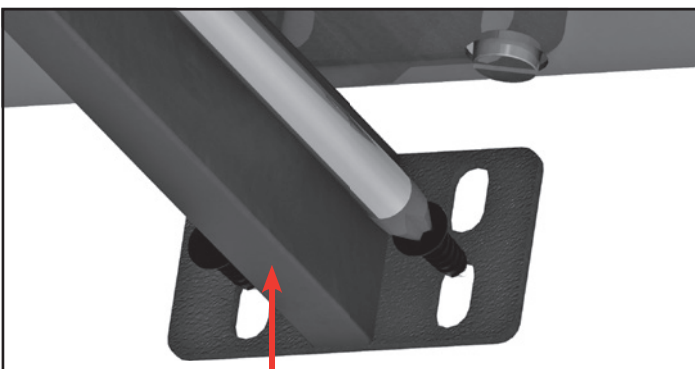


3. Place the beams between the cabinet and position it against the under side of the PITT® cooking unit. **ATTENTION: FOR THE POSITIONING, SEE STEP 4.**

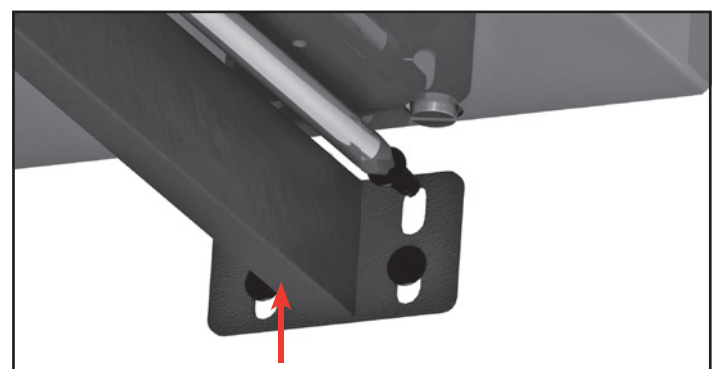
\* Minimum distance of 80 mm



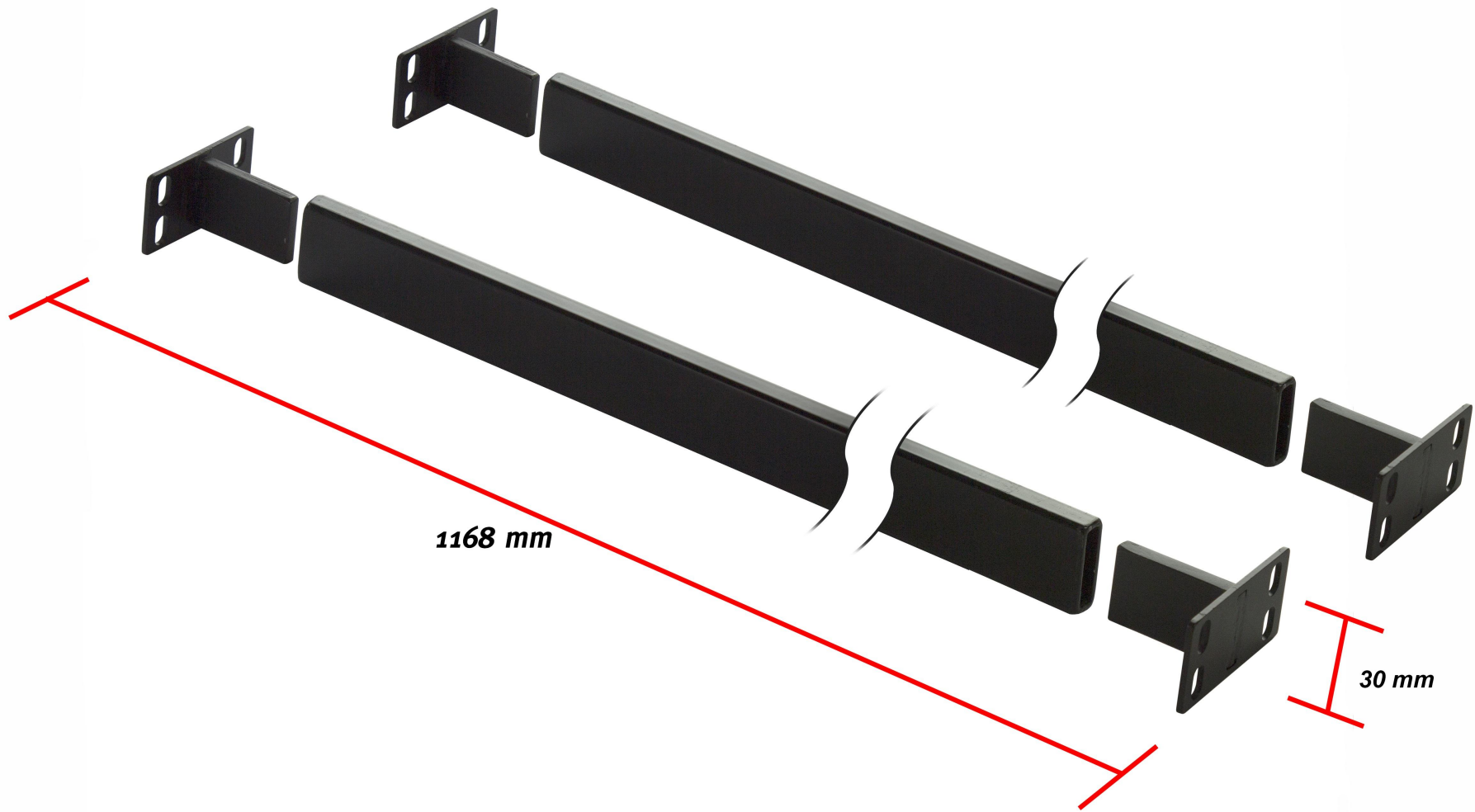
4. Position the beams in such a way that the screws, gas connection and the electricity block are freely accessible.



5. Push the beams firmly against the underside of the PITT® cooking unit and tighten the lower two screws by hand. Repeat this step for the other side of the cabinet.



6. Push the beams firmly against the underside of the PITT® cooking unit and tighten the upper two screws completely. Then, tighten the lower screws completely.



1168 mm

30 mm